

LANCER®

CED 1500 Standard Performance Dispenser



The CED 1500 is designed using the highest quality materials and state-of-the-art technology providing our customers with consistent drink quality.

- Stainless steel cabinet, water bath, product lines, and splash plate; removable refrigeration deck
- Available with 5 or 6 post-mix dispensing valves
- All valves can be serviced independently
- Insulation is CFC-free, 0 GWP, structural foam
- All installation from front of unit
- CFC-free, R134A Refrigerant
- Optional lighted front marquee kit and leg kit
- 1/3 hp compressor, 30 lb ice bank, high capacity flooded manifold
- Flex manifold configuration for multiple non-carbonated drinks



ETL CERTIFIED TO UL STD 471 AND
CAN/CSA STD 22.2 NO. 120



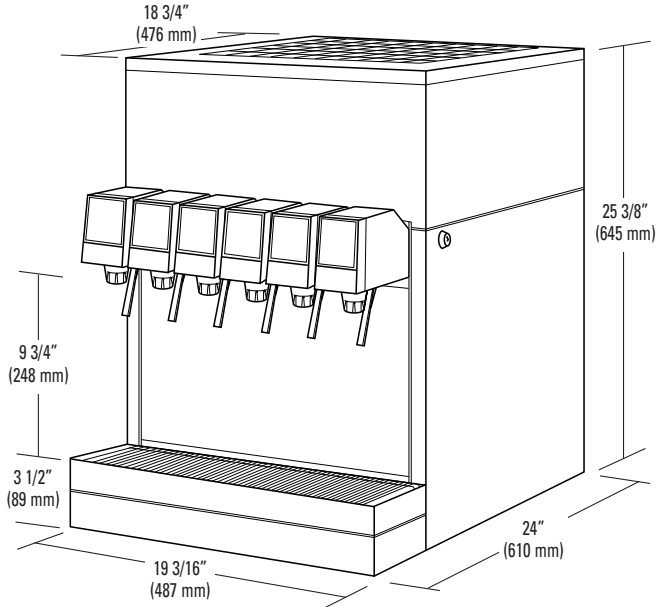
CED 1500 Standard Performance

OPTIONS

Lighted Marquee



SPECIFICATIONS



COMPRESSOR

1/3 hp

MOTORS

Agitator: 25 w
Condenser fan: 9 w

ICE BANK CONTROL

Lancer Electronic Ice Bank Control

TRANSFORMER

24 VAC Secondary

WATER

Capacity: 12 gallons

DIMENSIONS

Width: 19.187 in (487 mm)
Depth: 24 in (610 mm)
Height: 25.375 in (645 mm)

ELECTRICAL

115VAC/60Hz, 7.8 AMPs
230VAC/50Hz, 4.5 AMPs

WEIGHT

Empty: 130 lbs (59 kg)
Operating: 230 lbs (104 kg)
Shipping: 150 lbs (68 kg)

ICE

Capacity: 30 lbs (13.6 kg)

FITTINGS

Soda inlets: 3/8" male barb
Syrup inlets: 3/8" male barb

VALVES

LEV® and other valves available upon request

FLEX MANIFOLD CONFIGURATION

5 valve 2-2-1
6 valve 3-2-1

KEY LOCK SWITCH

DRAW PERFORMANCE

Number of Drinks Below 40°F

75°F (24°C) Ambient Temperature

395 drinks; 12oz. / 2 drinks per minute

90°F (32°C) Ambient Temperature

200 drinks; 12oz. / 2 drinks per minute

Warranty: For warranty specifics by product, contact your Lancer Sales Representatives.

CORPORATE OFFICE 6655 Lancer Blvd - San Antonio, TX 78219
210-310-7000 - 1-800-729-1500 - FAX 210-310-7250 - www.lancercorp.com

Equipment design and/or specifications may change without notice.

"Lancer" is the registered trademark of Lancer Corporation © 2010 Lancer, all rights reserved.

CED 1500 STND CC Spec Sheet 01/10